

**BALL VALVE TRUNNION MOUNTED CLASS 1500**

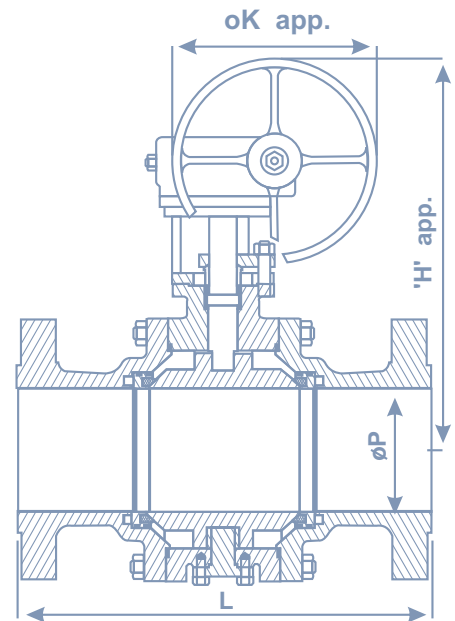
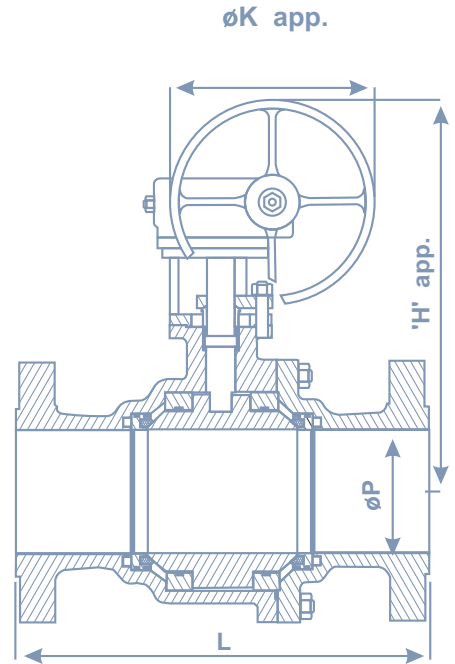
**TRUNNION MOUNTED BALL VALVES**



**FULL & RED PORT**

**MATERIAL SPECIFICATIONS**

NO.	Part Name	Material		
1.	Body	WCB / A105	CF8	CF8/ CF8M
2.	Yoke	WCB / A105	WCB/8CF8	
3.	Ball	CF8	CF8	CF8
4.	Seat	PTFE		
5.	Spindle	T410 / T304	T304	T316
6.	Gland Bush	T410 / T304	T304	T316
7.	Gland Flange	Carbon Steel		
8.	Hand Wheel	Carbon Steel		
9.	Stud & Nut	B7/2H		
10.	Gland Stud & Nut	B7/2H	B8/8	
11.	Yoke Stud & Nut	B7/2H		
12.	Mounting Bolts	B7		
13.	Trunion Stud & Nut	B7/2H		
14.	Gasket	SPW SS 304/316 With PTFE Filler		
15.	Gland Packing	PTFE		
16.	Gbottom Washer	PTFE		
17.	End Piece	WCB	CF8	CF8M
18.	Name Plate	Aluminium /SS		
19.	Seat Retainer	Carbon Steel	T304	T316
20.	Trunion Support			
21.	Gear Box Assy.	UTVC Make		
22.	Spring	S.S 304		S.S 306
23.	'O' Ring	Neoprene		
24.	Bottom Gasket	SPW SS 304/ 316 With PTFE Filler		



- 1- HOLLOW BALL 3"NB AND ABOVE.
- 2- LEVER OPERATION UP TO 4"NB, GEAR OPERATION 6"NB AND ABOVE.
- 3- TRUNNION MOUNTED BALL AS PER REQUIREMENT.

**TESTING DETAIL**

Hydrotest {KG/CM <sup>2</sup> }	
Shell	390
Seat	286
Seat Air Test :	7

**DIMENSION CHART 1500**

Valve Size in mm	2	2.5	3	4	6	8
L	368	419	470	546	705	832
'H' app	197	220	254	290	360	510
øp	49	64	75	75	148	198
Wt. kg app (F/E)	55	80	97	162	290	410